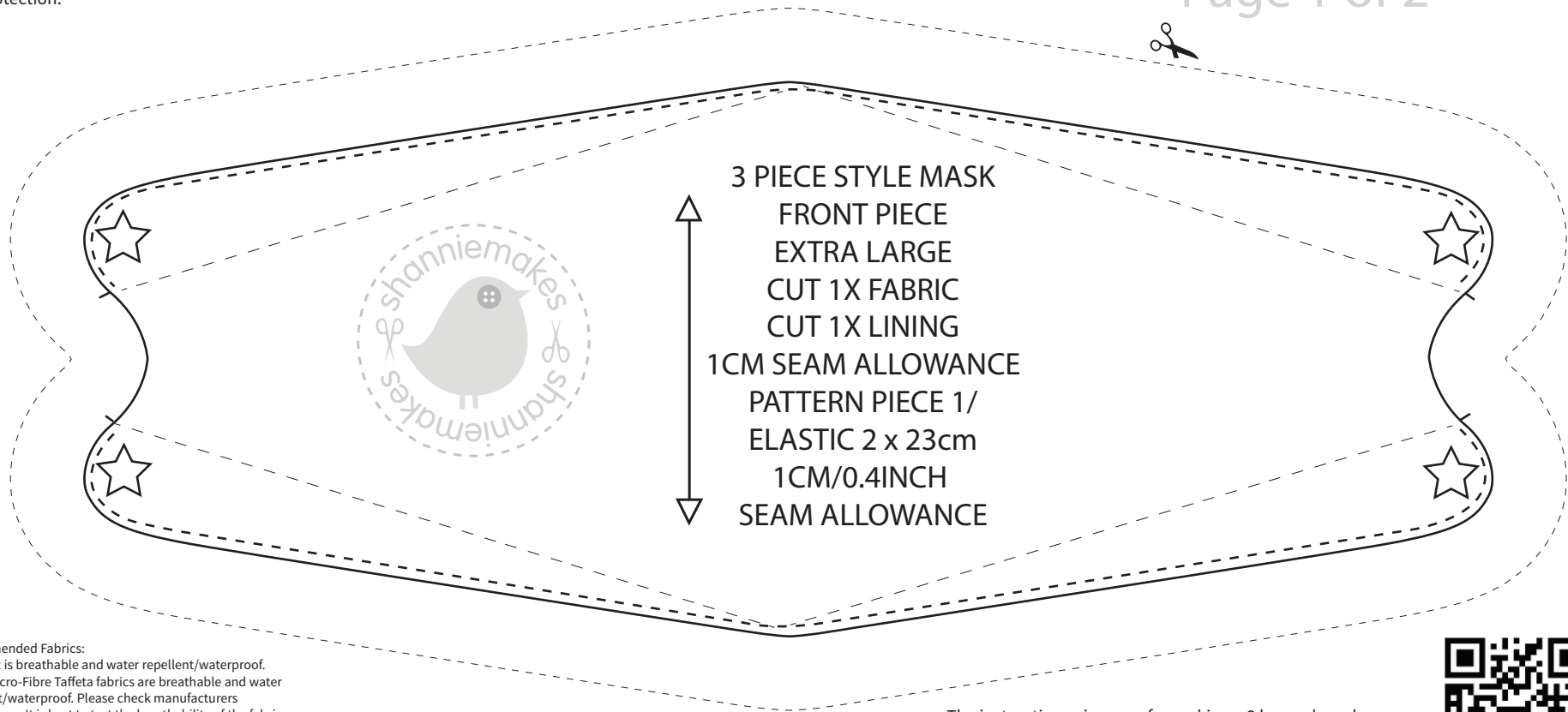


# ShannieMakes: 3 Piece Style Face Mask Extra Large

Size: L/ for Larger Adults Extra Large is more suitable for Western/European Faces.  
M is suitable for most adults. **The mask is not recommended to use on babies or toddlers.**  
This face mask was designed with affordability, washability and reusability in mind.  
This is not a medical/surgical grade face mask, but it is good enough to protect the face from dust particles and some odours.  
You can use a medical/surgical grade mask with this for extra protection.



Page 1 of 2



Recommended Fabrics:  
Gore-Tex is breathable and water repellent/waterproof.  
Some Micro-Fibre Taffeta fabrics are breathable and water repellent/waterproof. Please check manufacturers instructions. It is best to test the breathability of the fabrics on your face before buying/cutting.



Spraying fabric with waterproofing spray is not recommended because of the close proximity of the chemicals next to your respiratory system.  
Inner and lining fabrics such as cotton, double gauze and any fabrics with absorbing properties are the best choices, as well as creating a layer for you to breathe.

The instructions given are for making a 2 layered mask.  
If you require a 3 layered mask, just cut 1 extra piece of your chosen fabric/filter/lining for pattern piece 1.  
Also remember to cut 2 more pieces of your chosen fabric/filter/lining for pattern piece 2.



Copyright © 2020 ShannieMakes. All Rights Reserved.

Please note: Designed by me. You are welcome to use this pattern to make items for resale. However you are not allowed to commercially sell the pattern or publish the pattern as your own. I only ask of you to state where you got this pattern from or make a link back to my website shanniemakes.com. Many Thanks. Shan x

Scale 4cm   
1 Inch 

Page 2 of 2

